



**PUCHAR KONTYNENTALNY
W SKOKACH NARCIARSKICH
FIS SKI JUMPING CONTINENTAL CUP
05-06.01.2013 ZAKOPANE**



**INVITATION
FIS SKI JUMPING CONTINENTAL CUP
ZAKOPANE, POL 05th–06th January 2013**

Dear Ski Friends,

Below you will find an invitation to the FIS Continental Cup events that will be held in Zakopane, Poland on January 05th and 06th.

We hope to provide you with all the necessary information on the event. Should you have any further question do not hesitate to get back to us.

VENUE

Ski Jumping competitions will take place on the Wielka Krokiew HS-134 Jumping Hill.





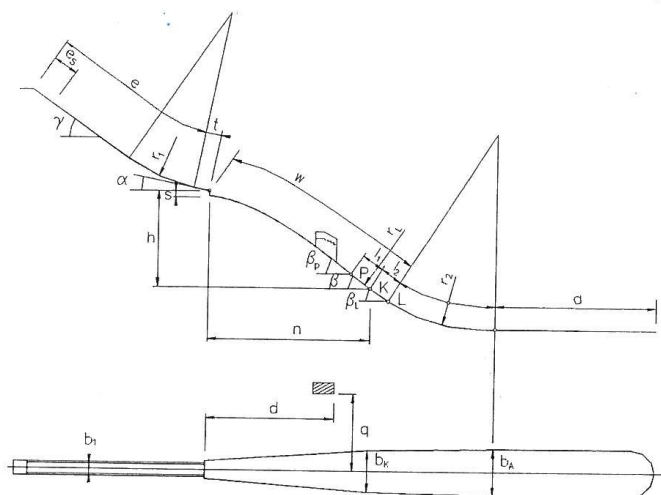
FÉDÉRATION INTERNATIONALE DE SKI
INTERNATIONAL SKI FEDERATION
INTERNATIONALER SKI - VERBAND



No. 105 / POL 1 2.Verlängerung

CERTIFICATE OF JUMPING HILL
CERTIFICAT DE CONFORMITE
SCHANZENPROFILBESTÄTIGUNG

| | | | |
|----------------------------------------------|------------|----------------------------------------------|----------------|
| Date of issue Établi le Ausgestellt am | 12.12.2011 | Valid till Valable jusq` au Gültig bis | 31.12.2016 |
| Place: | Zakopane | Name: | Wielka Krokiew |
| HS = | 134 m | h/n | 0.585 |
| | | Vo = | 25.5m/s |



| | | |
|-----------------------|------------------------|----------------|
| $e = 91$ m | $l_1 = 11$ m | $P = 109$ m |
| $e_s = 16$ m | $l_2 = 13.90$ m | $K = 120$ m |
| $t = 6.5$ m | $a = 107$ m | $L = 133.90$ m |
| $\gamma = 35^\circ$ | $\beta_p = 37.5^\circ$ | $b_1 = 2.5$ m |
| $\alpha = 10.5^\circ$ | $\beta = 35.5^\circ$ | $b_K = 24$ m |
| $r_1 = 100$ m | $\beta_L = 33^\circ$ | $b_A = 26.4$ m |
| $h = 60.29$ m | $r_L = 316$ m | $d = 84$ m |
| $n = 103.06$ m | $r_2 = 133.5$ m | $q = 35$ m |
| $s = 3.0$ m | | |

JUMPING HILL APPROVED BY THE FIS
TREMPLIN HOMOLOGUE PAR LA FIS
DURCH DIE FIS GENEHMIGTE SPRUNGSCHANZE

SUB-COMMITTEE FOR JUMPING HILLS
CHAIRMAN: *Leannh*



**PUCHAR KONTYNETALNY
W SKOKACH NARCIARSKICH
FIS SKI JUMPING CONTINENTAL CUP
05-06.01.2013 ZAKOPANE**



ORGANISING COMMITTEE

Tatrzański Związek Narciarski – TATRA SKI FEDERATION
ul. Bronisława Czecha 1B
34-500 Zakopane, Poland
Phone: +48 18 20 153 08
Fax: +48 18 20 125 88
Email: office@tzn.com.pl
Website: <http://www.tzn.com.pl>

Race Office, Accreditation and Accommodation Office

Tatrzański Związek Narciarski – TATRA SKI FEDERATION
ul. Bronisława Czecha 1B
34-500 Zakopane, Poland

Meeting room

Tatrzański Związek Narciarski – TATRA SKI FEDERATION
ul. Bronisława Czecha 1B
34-500 Zakopane, Poland

Organising Committee

| | |
|----------------------------------------|----------------------------|
| President | Janusz Majcher |
| OC Executive Director | Andrzej Kozak |
| Vice President | Andrzej Gąsienica Makowski |
| | Apoloniusz Tajner |
| Secretary | Marta Chrapko |
| Treasurer | Helena Szufnara |
| Chief of Technical Facilities | Andrzej Stryczek |
| Chief Stewart | Andrzej Łęcki |
| Chief of Accommodation and Transfer | Ewa Kremer |

Competition Management

| | |
|---------------------------------------|------------------|
| Chief of Competition | Ryszard Guńka |
| Race Secretary | Bożena Zagata |
| Chief of accreditation & calculations | Marek Kowalczyk |
| Chief of hill | Andrzej Stryczek |



**PUCHAR KONTYNENTALNY
W SKOKACH NARCIARSKICH
FIS SKI JUMPING CONTINENTAL CUP
05-06.01.2013 ZAKOPANE**



FIS OFFICIALS

| | | |
|---------------------|-----------------------|-----|
| FIS Coordinator COC | Tielmann Horst | FIS |
| TD | Greger Ivo | CZE |
| TD-Assistant | Hirsch Volkmar | GER |
| Jumping Judges | Emil Babis | SVK |
| | Dlugopolski Kazimierz | POL |
| | Szostak Tadeusz | POL |
| | Bafia Kazimierz | POL |
| | Galica Andrzej | POL |

ACCOMMODATION

The FIS Ski Jumping Continental Cup Zakopane 2013 Organizing Committee takes care of the full board accommodation for the athletes and officials.

The bookings for national teams are organized by the OC according to the team quotas and sent entries.

All the bookings and accommodation request shall be sent directly to the OC of Zakopane address.

The price for the daily full board accommodation, for those over national quotas, is:

- 30 Euro per person FB

Cash and credit cards are accepted.

If there are any NSF who had made their own accommodation arrangements are obliged to inform the OC about the fact not later than **December 31st**

The LOC does not guarantee the availability of accommodation for requests and entries sent later than December 31st

Hotel address:

**Willa "Tadeusz"
Oberconiówka 10
+48 18 20 61 214**

TRANSFERS

Airport pick-ups will be provided on the teams' requests.

All team cars will get special parking labels to park in the reserved areas.

DEADLINES

Entries by numbers: December 20th

Entries by names: December 31st

Accreditation requests only by NSF by December 31st

FIS Family tickets will be granted according to new FIS rules.



**PUCHAR KONTYNENTALNY
W SKOKACH NARCIARSKICH
FIS SKI JUMPING CONTINENTAL CUP
05-06.01.2013 ZAKOPANE**



ARRIVALS

By plane : Warszawa (450 km)

Katowice (180 km)

Kraków (110 km)

By train : Zakopane

By car : PL / SVK border:

West - Sucha Hora- Chochołów 20km

East - Łysa Polana 20 km

All the airport pick-ups will be provided by the LOC at the teams' expense, provided that they are requested for in advance.





**PUCHAR KONTYNENTALNY
W SKOKACH NARCIARSKICH
FIS SKI JUMPING CONTINENTAL CUP
05-06.01.2013 ZAKOPANE**



PROGRAMME

03.01.2013 CZWARTEK /DONNERSTAG/ THURSDAY

18:00 Przyjazd ekip / Anreise / Teams' arrival at the Zakopane Willa "Tadeusz"

04.01.2013 PIĄTEK /FREITAG/ FRIDAY

09:00 Odprawa Techniczna / Mannschaftsführersitzung / Team captains' meeting

12:00 Oficjalny trening HS-134 (2 serie)

Offizielles Training HS-134 (2 Durchgänge)

Official training HS-134 (2 rounds)

05.01.2013 SOBOTA /SAMSTAG/ SATURDAY

10:30 Seria próbna / Probedurchgang / Trial round

12:00 Konkurs skoków Puchar Kontynentalny HS-134

Sprungwettkampf Continental Cup HS-134

Ski Jumping Continental Cup Competition HS-134

06.01.2013 NIEDZIELA /SONNTAG/ SUNDAY

10:30 Seria próbna / Probedurchgang / Trial round

12:00 Konkurs skoków Puchar Kontynentalny HS-134

Sprungwettkampf Continental Cup HS-134

Ski Jumping Continental Cup Competition HS-134



**PUCHAR KONTYNENTALNY
W SKOKACH NARCIARSKICH
FIS SKI JUMPING CONTINENTAL CUP
05-06.01.2013 ZAKOPANE**



SKI WAXING and SERVICE AREA

Ski wax cabins will be located at Wielka Krokiew HS-134 hill.

DOPING CONTROL

According to FIS standards and rules.

INSURANCE

All athletes need the insurance arranged by their National Ski Associations.
The Organizing Committee is not responsible for any injuries of the athletes neither for the damage or lost property.

LANGUAGE

The official language is English.

ADDITIONAL PROGRAMME

Ceremonies according to official programme and FIS guidelines.

VISA INFORMATION

This invitation should be enough to get visas. In case you will need assistance with getting these, do not hesitate to contact us.